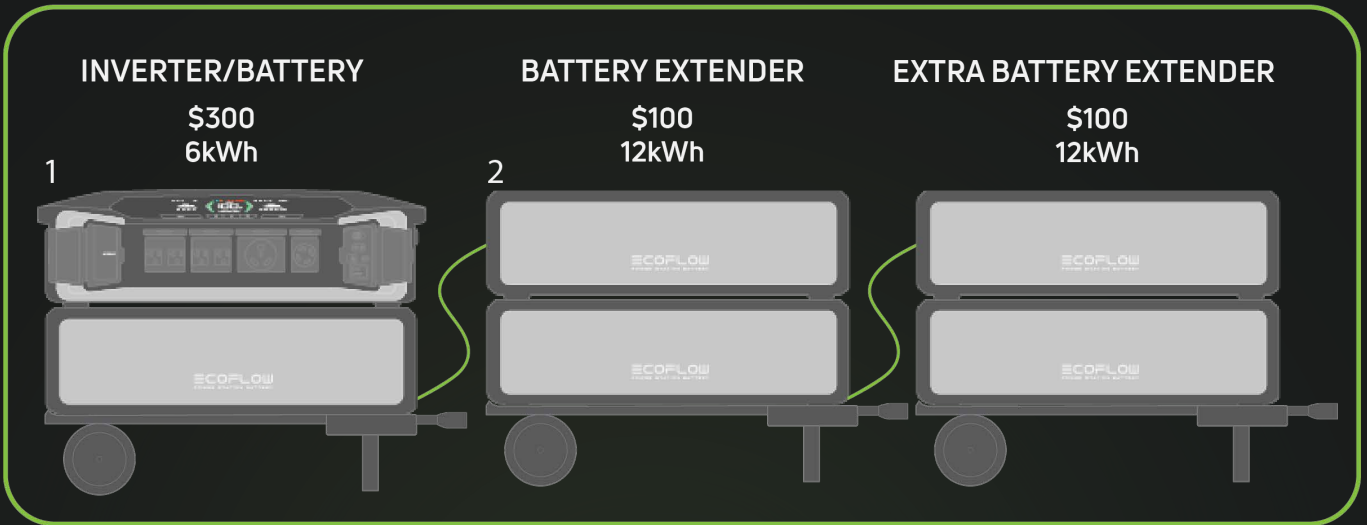


# ECOFLOW ULTRA

Power Inverter + Battery



House



## INVERTER SPECS

Temperature Range: -20°C to 45°C  
Altitude Range: ≤3,000 m (9,842 ft.)  
Noise Level: <30dB  
Max Draw: 7.2kW

## PORTS

USB-A (x 2): 5V~2.4A, 12W  
USB-C (x 2): 5-20V~5A, 100W  
AC Output (x4): 120V ~ 20A  
AC Output (x1): 120V ~ 30A  
AC Output (x1): 120V/240V ~ 30A max  
AC Charging Input (x1): 100-120V~15A or 200-240V~12.5A  
DC Output: (x1) 12.6V/30A

## 1 INVERTER/BATTERY

Dimensions (L x W x H): 2'3" x 17" x 1'8"  
Weight: 200lbs / 90kg  
Battery Capacity: 6kWh  
Charge Time: <3hr

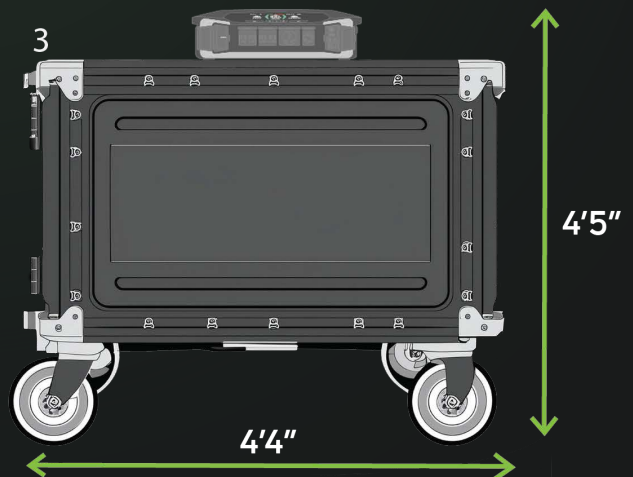
## 2 BATTERY EXTENDER

Dimensions (L x W x H): 2'3" x 17" x 1'8"  
Weight: 225lbs / 102kg  
Battery Capacity: 12 kWh  
Charge Time: <6hr

## 3 FIVE BATTERY CART

Dimensions (L x W x H): 4'4" x 2'2" x 4'5"  
Weight: 700lbs / 317kg  
Battery Capacity: 30kWh  
Charge Time: <15hr

## FIVE BATTERY CART \$500 - 30kWh



# ECOFLOW ULTRA

Power Inverter + Battery



House

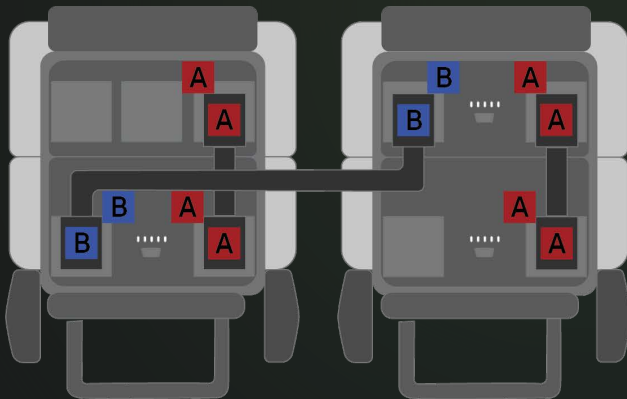
The **ECOFLOW DELTA PRO ULTRA** is a powerful battery package ideal for film sets, offering a powerful and versatile energy solution. While being almost completely silent the Ecoflow Delta Pro Ultra also allows for you to use high-powered film lights, serve as a charging station for various on-set equipment, and even run a motion control robot. Its robust design and fast-charging capabilities ensure reliable and continuous power, making it perfect for demanding production environments.

## HOW TO USE

The Ecoflow Delta Pro Ultra battery is incredibly easy-to-use. Just press and hold the power button for one second to turn on the inverter and then press once on the AC or DC button on the front of the inverter to activate

## DAISY CHAINING

Daisy chaining multiple battery packs is possible with extra cables. Up to two extra Two Battery Packs can be connected to the Inverter + Battery Pack for a total of five batteries (30KWh). With extended connector cables you can connect side A of the cable to port A of the battery and side B of the cable to port B (see diagram below for reference).



## EXTRA CABLES

**High Voltage Y Cable:** To connect multiple batteries together.

**High Voltage Charging Cable:** To replace the basic charging cable.

**3-pin to Joy (120V):** 120V/30A (Nanlux 2400b)

**4-pin to Joy (240V):** 240V/30A (ARRI M40 HMI)

**RV to 3-Pin (120V):** 120V/30A Adapter

## RATES

Inverter + Battery	\$300/day	The Inverter + Battery is the main bundle and all you need to start powering your set!
Battery Extender	\$100/day	The Two Battery Pack can be ordered as an extra to increase the amount of power available
Five Battery Cart	\$500/day	The Cart is the same as ordering the Inverter + Battery Pack as well as two additional Two Battery Packs but conveniently organized all onto one cart.

# ECOFLOW ULTRA

Power Inverter + Battery



House

## GETTING STARTED

The Inverter + Battery is the main bundle and all you need to start powering your set!

The Two Battery Pack can be ordered extra to increase the amount of power available, however you need the Inverter + Battery Pack to draw out any power from the batteries.

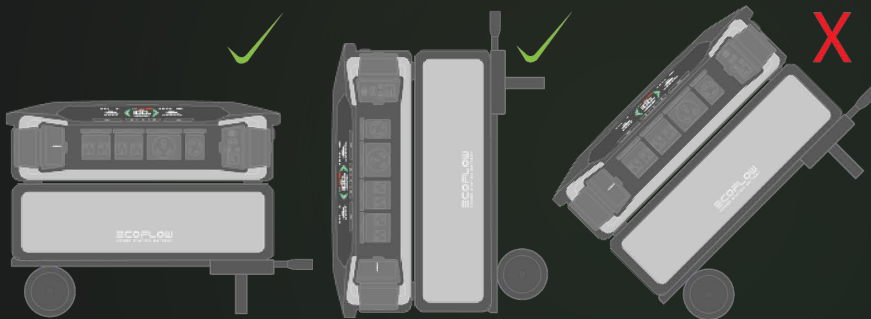
The Cart is the same as ordering the Inverter + Battery Pack as well as two additional Two Battery Packs but conveniently organized all onto one cart.

Do not leave out in direct sunlight or in the rain.

If in use, leave space behind the product so as not to block the vents and allow for self-cooling.

An adapter cable may be needed to plug in more powerful lights (see associated cables list on pg. 1)

Only operate the Ecoflow Delta Pro Ultra upright or laying down, do not operate at an angle. See the following diagram for reference:



### RUNTIME (1-5 BATTERIES)

At Max Output (7.2kW):	50m - 4h 10m
M40 (4kW):	1.5h - 7.5h
Nanlux 2400B(2.4kW):	2.5h - 12.5h
Aputure CS15 (1.6kW):	3.8h - 19h
Cinebot Mini:	1.5days - 7.5days

## FAQs

### HOW LOUD IS THE BATTERY WHEN DRAWING POWER?

The Ecoflow Ultra is less than 30dB when in use, which is quieter than a whisper.

### HOW MANY BATTERIES CAN BE CONNECTED TOGETHER AT THE SAME TIME?

You can connect up to five batteries to one inverter at a time.

### WHAT IS THE DIFFERENCE BETWEEN THE TROLLEYS AND THE CART?

In terms of power and capacity, the cart is the same as one Inverter/Battery and Two Battery Extenders. The cart is less agile than the trolleys (weighing 700lbs) but instead of having the inverter and batteries separate, they are all compact onto one cart.

### CAN THE BATTERIES BE CHARGED WHILE IN USE?

Yes, they can be charged while also drawing power, essentially increasing use time.

### IS THERE ANYTHING EXTRA THAT IS NEEDED FOR THE BATTERIES TO WORK?

The batteries are ready to use once rented, however there are extra cables that can be requested to allow for more powerful lights to be connected (ex. M40).